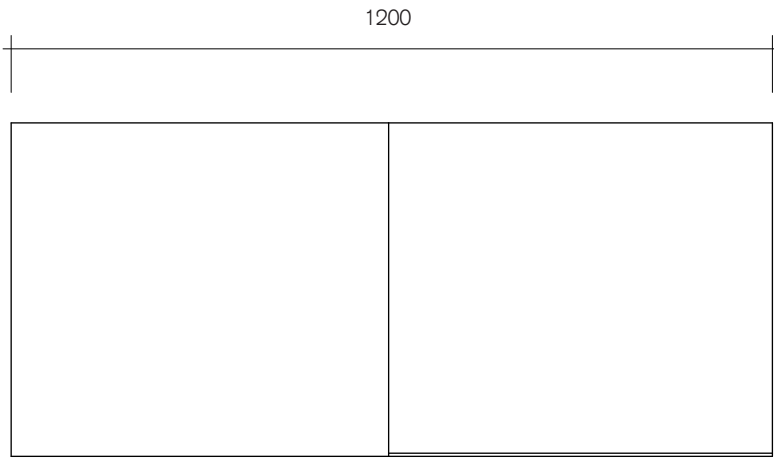
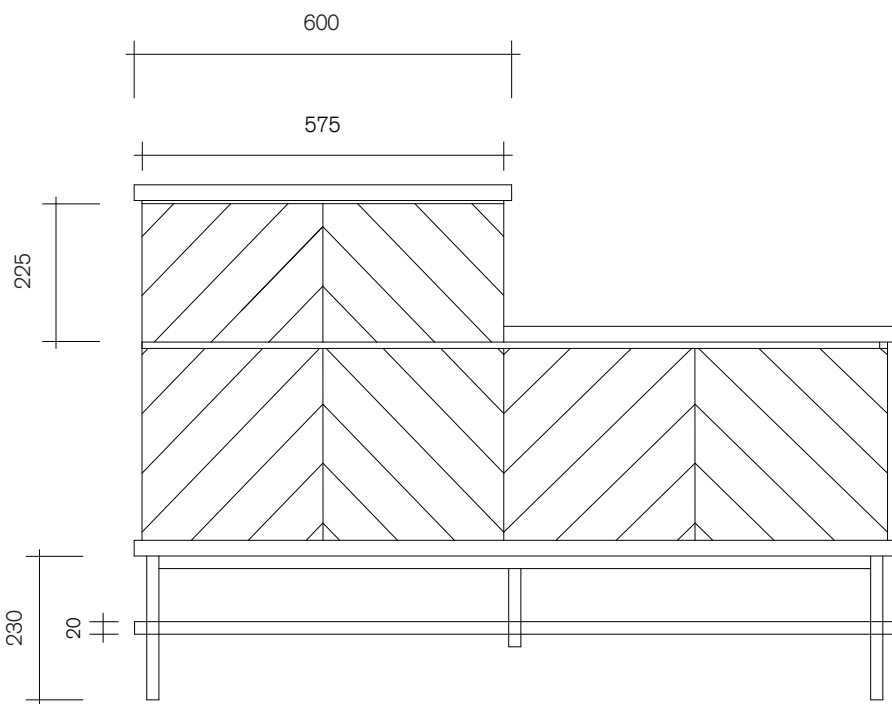


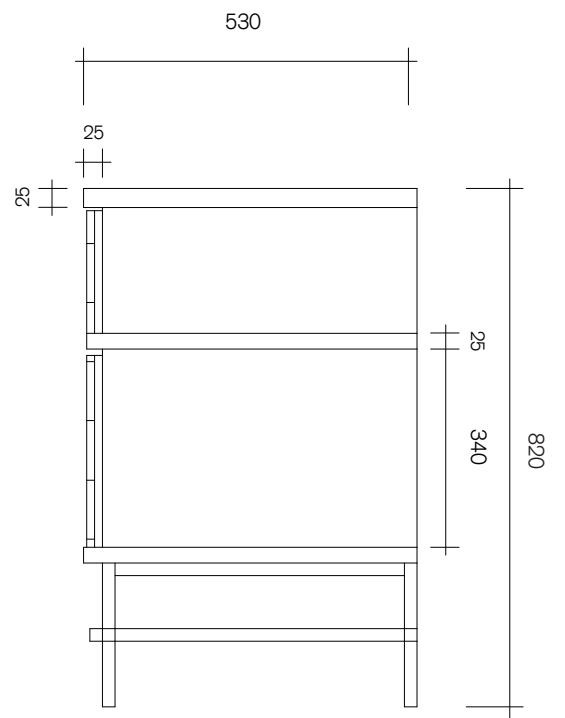
TRIBUS



TOPO



FRONTAL



RIGHT SIDE